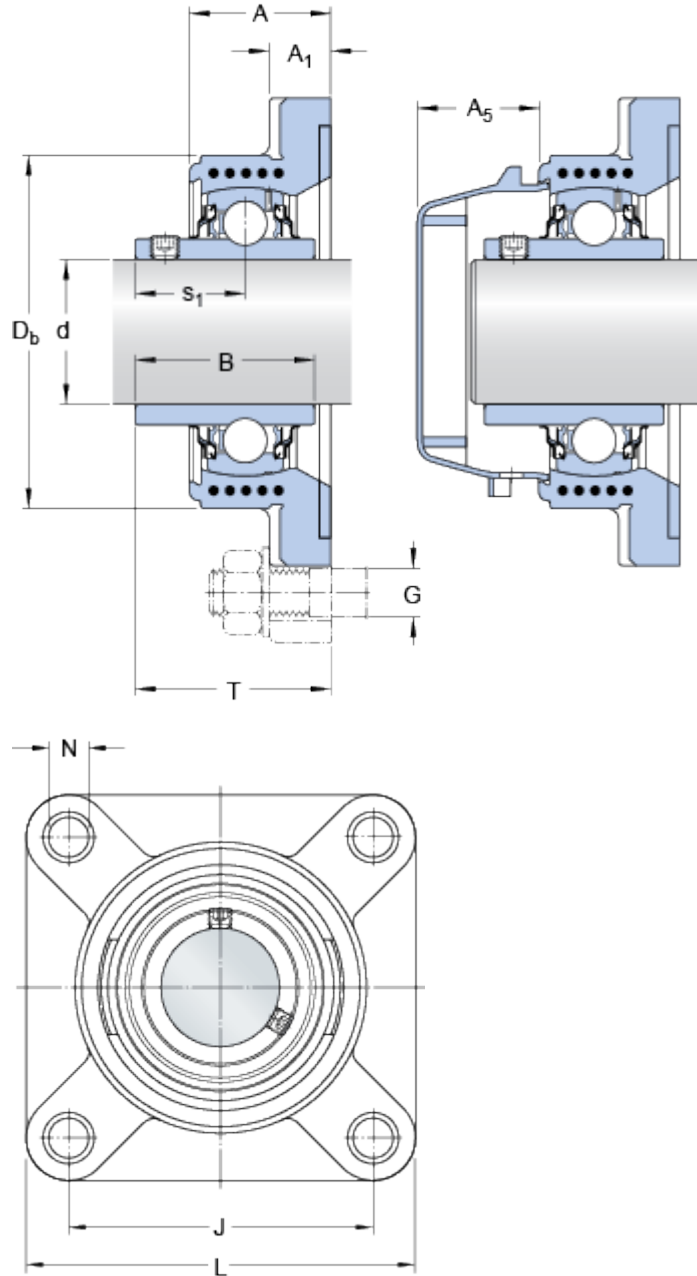


FYWK 30 YTH

Housing material

Composite for SKF Food Line

Dimensions



d	30	mm
A	33	mm
A ₁	15.3	mm
A ₅	30.5	mm
B	38.1	mm
D _b	78	mm
J	82.5	mm
L	108	mm
N	12.3	mm
s ₁	22.2	mm
T	42.2	mm

Dowel pins

Grease fitting

Threaded hole

Calculation data

Basic dynamic load rating	C	16.3	kN
Basic static load rating	C ₀	11.2	kN
Fatigue load limit	P _u	0.475	kN
Limiting speed		3800	r/min

(with shaft tolerance h6)

Mass

Mass bearing unit		0.54	kg
-------------------	--	------	----

Mounting information

Thread grub screw	G ₂	M6x0.75	
Hexagonal key size for grub screw	N	3	mm
Recommended tightening torque for grub screw		4	N·m
Recommended diameter for attachment bolts, mm	G	10	mm
Recommended diameter for attachment bolts, inch	G	0.375	in

Appertaining products

Housing	FYWK 506 Y
Bearing	YAR 206-2RF/HV

Appropriate products

End cover	ECW 206
-----------	---------
